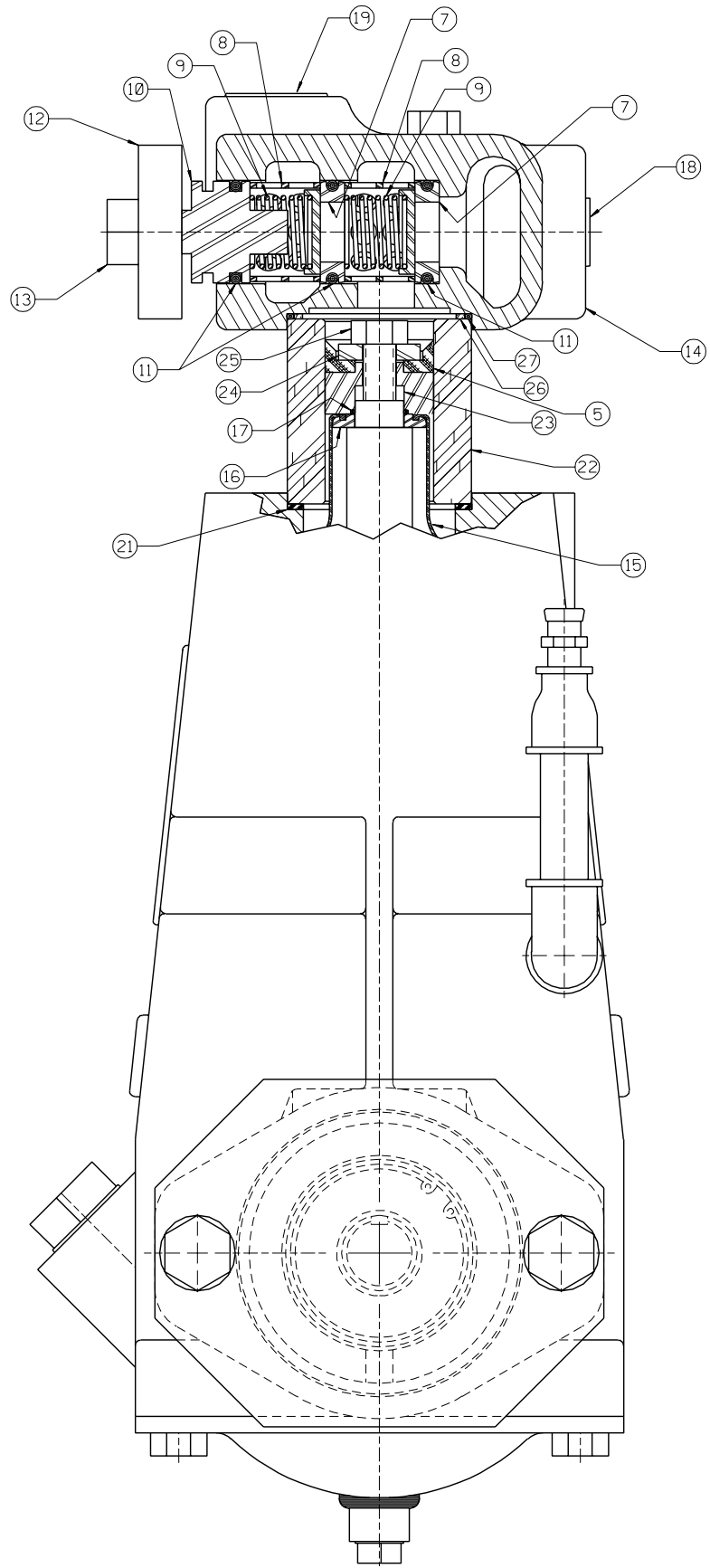
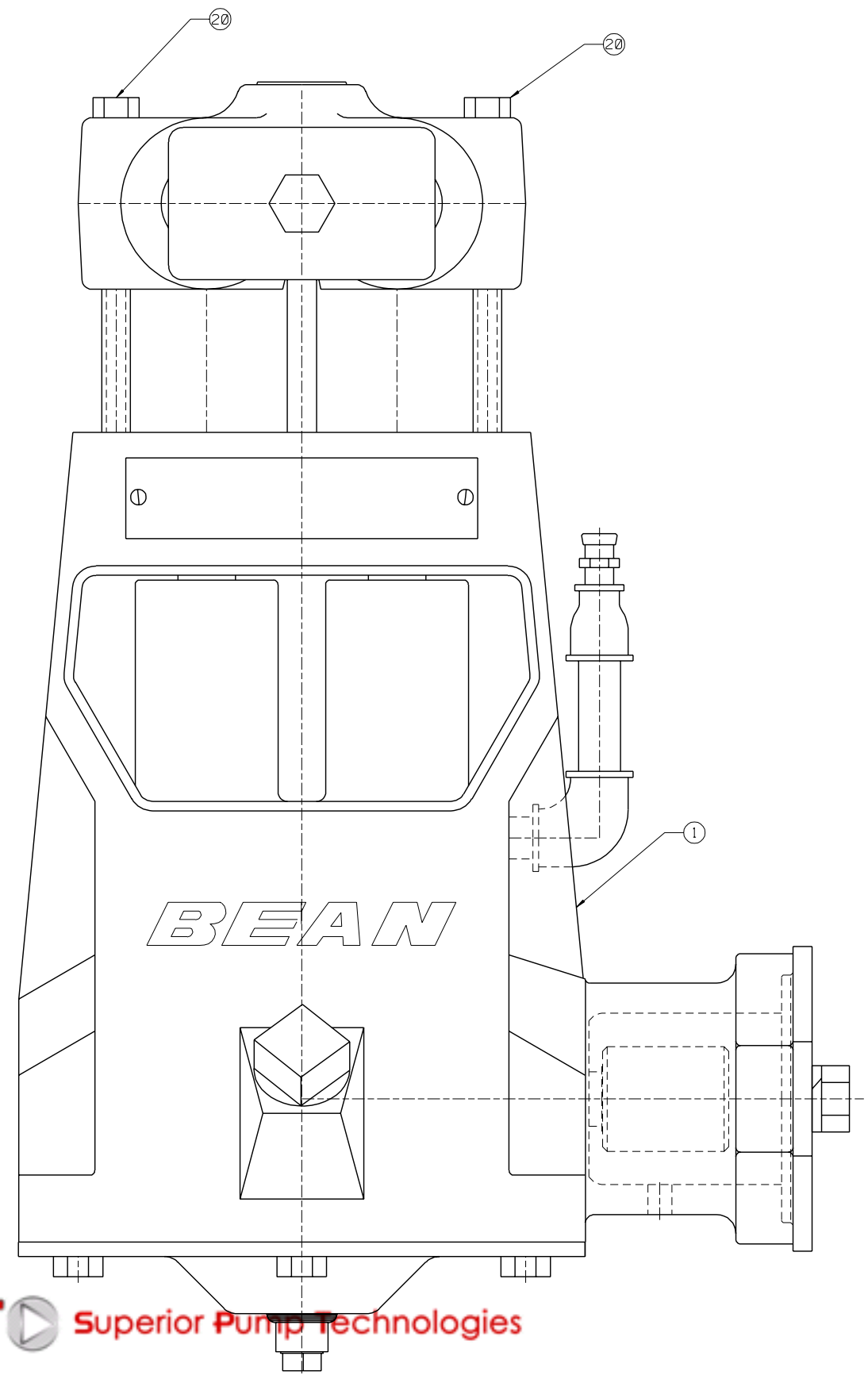


* THESE COMPONENTS ARE LOCATED IN THE FLUID CYLINDER GROUP, ITEM ②
 ** THESE COMPONENTS ARE LOCATED IN THE ATTACHING GROUP, ITEM ③
 *** THESE COMPONENTS ARE LOCATED IN THE CYLINDER GROUP, ITEM ④



ITEM	NO. RECD	PART NO.	PART NAME
①	1	3269004	POWER END ASSEMBLY:
②	1	3266812	FLUID CYLINDER GROUP:
③	1	5273637	ATTACHING GROUP:
④	1	3267985	CYLINDER GROUP:
⑤	2	3267349	CUP: 1 5/8", HSN, EMERALITE COATED
⑥	1	5266228	LIT KIT:
* ⑦	4	1219615	VALVE SEAT:
* ⑧	4	1219610	CAGE:
* ⑨	4	3266811	DISC & SPRING ASSEMBLY:
* ⑩	2	1219614	VALVE COVER:
* ⑪	6	3264075	O-RING: 1 3/16" OD X 1/8" NOM., BUNA-N
* ⑫	1	1255887	VALVE COVER CLAMP:
* ⑬	1	1100064	HEX HD CAP SCREW: 1/2-13 X 1 1/2" LG.
* ⑭	1	3267276	FLUID CYLINDER: A04, 1" X 1/2"
** ⑮	2	1279148	UMBRELLA: BLACK
** ⑯	2	1269388	UMBRELLA WASHER:
** ⑰	2	1101339	O-RING: 1 1/16" OD X 1/16" NOM., BUNA-N
** ⑱	1	1177200	CAPLUG: INT. 12
** ⑲	1	1177199	CAPLUG: INT.
** ⑳	3	1101262	HEX HD CAP SCREW: 3/8-16 X 5" LG.
*** ㉑	2	A91684	CYLINDER GASKET:
*** ㉒	2	1241364	CERAMIC CYLINDER:
*** ㉓	2	1282557	PACKING HOLDER:
*** ㉔	2	5257986	PACKING WASHER:
*** ㉕	2	1284516	HEX HD CAP SCREW: 5/16-18 X 1 1/2" LG.
*** ㉖	2	1285170	SEAL RING:
*** ㉗	2	1177841	O-RING: 2 1/8" OD X 1/16" NOM., BUNA-N



Member of AxFlow Group

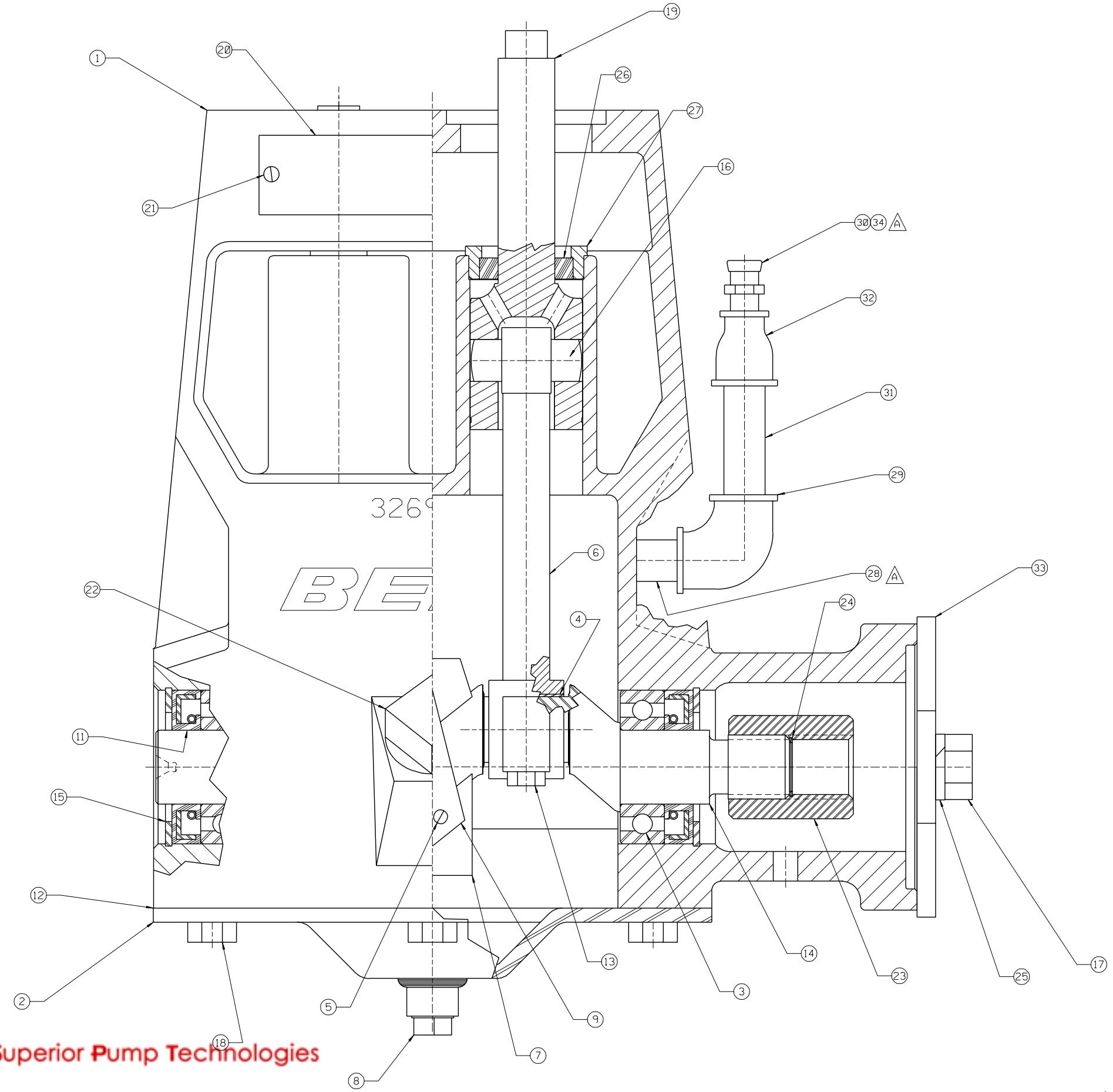
0508 4 BBENG
 www.brownbros.co.nz

- NOTES:
- TORQUE ITEMS 13, 20 & 25 PER ENGINEERING SPEC. AS-22
 - TEST AT 500 RPM, 750 PSI
 - RETORQUE ALL ITEM 20'S AFTER TEST
 - STAMP NAMEPLATE WITH THE FOLLOWING DATA:
 MODEL NO. - A0413 PART NO. - 3269014
 MAX RPM - 500 POWER - 3.5 HP/4.0 KW
 FLOW - 9 GPM/34 LPM MAX PRESSURE - 750 PSI/5170 KPA
 SERIAL NO. - _____
 - 5 PAINT PER ENGR SPEC CP-36

This drawing is the property of FMC Corporation, and may not be used, reproduced, published, or disclosed to others, without express authorization FMC Corp.		FMC Corporation Fluid Control Division 2825 W. Washington Box 1377 Stephenville, Texas 76481	
Unless otherwise specified: Remove all burrs & sharp corners .005 R. All diameters concentric unless .001 LSC. Angles ±1/2° .XX ±.015 .XXX ±.005 Finish 125 RMS All dimensions are in inches		PUMP ASSEMBLY A0413C, W/1" NPT X 1/2" NPT FLUID END, ABRASIVE SERVICE PISTON CUPS, 440 SST DISC VALVE ASSY & HYD. ADAPTER ON POWER END, F/VERMEER	
D	REV NOTE 5	5004581	SJK 05-09-00
C	REV BOM	5002635	SJK 08-27-98
B	REVISED NOTE 4	5007700	BKM 01-13-98
REV	WAS	ECN	BY DATE
RELEASED FOR PRODUCTION		ECN	DATE
CD.	SL	03-01-96	SCALE: NONE
APPD.	RMc	03-04-96	SIZE: DRAWING NO.



3269014



ITEM	NO. REQD	PART NO.	PART NAME
①	1	3269005	POWER FRAME:
②	1	3264674	BACKCOVER:
③	2	1177804	BALL BEARING:
④	4	1263739	BEARING INSERT:
⑤	2	320502	HEX HD CAP SCREW: 10 -24 X 3/4" LG
⑥	2	1263906	CONNECTING ROD:
⑦	1	1255285	OIL SLINGER:
⑧	1	1105666	PLUG: 1/4" PIPE
⑨	1	5261980	BOLTING STRIP:
⑩	2	1177576	STOP NUT: 10-24 (NOT SHOWN)
⑪	2	1219669	OIL SEAL:
⑫	1	1219606	GASKET:
⑬	4	1278439	HEX HD CAP SCREW: 1/4"-20 X 1" LG
⑭	1	3269009	CRANKSHAFT:
⑮	2	1113528	RETAINER RING: INT 2.06 BORE
⑯	2	1219650	WRIST PIN:
⑰	2	3226393	HEX HD CAP SCREW: 1/2"-13 X 1 1/2" LG
⑱	6	1100068	HEX HD CAP SCREW: 3/8"-16 X 3/4" LG
⑲	2	1216823	CROSSHEAD:
⑳	1	5277981	NAMEPLATE:
㉑	2	1187413	SELF-TAPPING SCREW: #4 X 3/16" LG
㉒	1	1105060	PLUG: 3/4" PIPE
㉓	1	3269007	COUPLING:
㉔	1	3269008	RETAINER RING: INT .66 BORE
㉕	2	1100245	LOCK WASHER: 1/2"
㉖	2	1283603	SEAL:
㉗	2	3267598	SEAL HOLDER:
㉘	1	P501296	NIPPLE: 1/4" NPT X 1 1/4" LG
㉙	1	1105017	STREET ELBOW: 1/4" NPT
㉚	1	1177536	LUBE VENT:
㉛	1	1105743	NIPPLE: 1/4" NPT X 2" LG.
㉜	1	3268118	REDUCER: 1/4" NPT X 1/8" NPT
㉝	1	3269015	COVER: FLANGE
㉞	1	3269460	PLUG: 1/8" NPT (NS)

NOTES:
 1 TORQUE FASTENER PER FMC SPEC AS-22
 2 PROTECT MOUNT FLANGE FACE AT ALL TIMES
 3 ITEM 34 TO BE INSTALLED AFTER TESTS, BEFORE CLEANING AND PAINTING



This drawing is the property of FMC Corporation, and may not be used, reproduced, published, or disclosed to others, without express authorization FMC Corp.		FMC Corporation Fluid Control Division 2825 W. Washington Box 1377 Stephenville, Texas 76481	
Unless Otherwise Specified: Remove all burrs & sharp corners .015 R. All diameters concentric unless otherwise noted. Angles ±1/2° .XX ±.015 .XXX ±.005 Finish 125 RMS All dimensions are in inches		POWER END ASSEMBLY F/A04, LH, VERMEER W/3/8"-13T, 16/32, SPLINE & 2 BOLT HYD. MOTOR MOUNT	
RELEASED FOR PRODUCTION ECN DATE	DRAWN CHJ CKD. SL APPD. RMC	03-01-96 03-01-96 03-04-96	SCALE: NONE DRAWING NO. 3269004

B	REV BOM ITEM 28, 34	5000707	SJK	02-24-97
REV	WAS	ECN	BY	DATE
		13122		03-06-96

3269004