

ITEM	NO. REQD.	PART NO.	PART NAME
①	1	5273548	POWER END ASSEMBLY:
②	1	5260310	FLUID CYLINDER GROUP:
③	1	5273637	ATTACHING GROUP:
④	1	5273629	CYLINDER GROUP:
⑤	2	5257807	PISTON CUP: 1 5/16" CARBOXILATED NITRILE
⑥	1	5266228	LIT KIT:
* ⑦	4	5260142	VALVE SEAT:
* ⑧	4	1219610	CAGE:
* ⑨	4	5253499	DISC & SPRING ASSEMBLY:
* ⑩	2	1219614	VALVE COVER:
* ⑪	6	1177394	O-RING: 1 5/16" OD X 1/8" NOM., BUNA-N
* ⑫	1	1255887	VALVE COVER CLAMP:
* ⑬	1	1100064	HEX HD CAP SCREW: 1/2-13 X 1 1/2" LG.
* ⑭	1	5257095	FLUID CYLINDER:
** ⑮	2	1279148	UMBRELLA: BLACK
** ⑯	2	1269388	UMBRELLA WASHER:
** ⑰	2	1101339	O-RING: 1 1/8" OD X 1/16" NOM., BUNA-N
** ⑱	1	1177200	CAPLUG: INT. 12
** ⑲	1	1177201	CAPLUG: INT. 14
** ⑳	3	1101262	HEX HD CAP SCREW: 3/8-16 X 5" LG.
*** ㉑	4	A91684	CYLINDER GASKET:
*** ㉒	2	1241364	CERAMIC CYLINDER:
*** ㉓	2	1282557	PISTON HOLDER:
*** ㉔	2	5257986	PISTON WASHER:
*** ㉕	2	1284516	HEX HD CAP SCREW: 5/16-18 X 1 1/2" LG.

* THESE COMPONENTS ARE LOCATED IN THE FLUID CYLINDER GROUP, ITEM ②
 ** THESE COMPONENTS ARE LOCATED IN THE ATTACHING GROUP, ITEM ③
 *** THESE COMPONENTS ARE LOCATED IN THE CYLINDER GROUP, ITEM ④



Member of AxFlow Group

0508 4 BBENG
 www.brownbros.co.nz

- NOTES:
- 1 TORQUE FASTENERS PER FMC ENGR SPEC AS-22
 - 2 TEST PUMP PER FMC ENGR SPEC AS-15
 - 3 STAMP NAMEPLATE PER FMC ENGR SPEC AS-21
 - 4 PAINT PUMP PER FMC ENGR SPEC CP-20

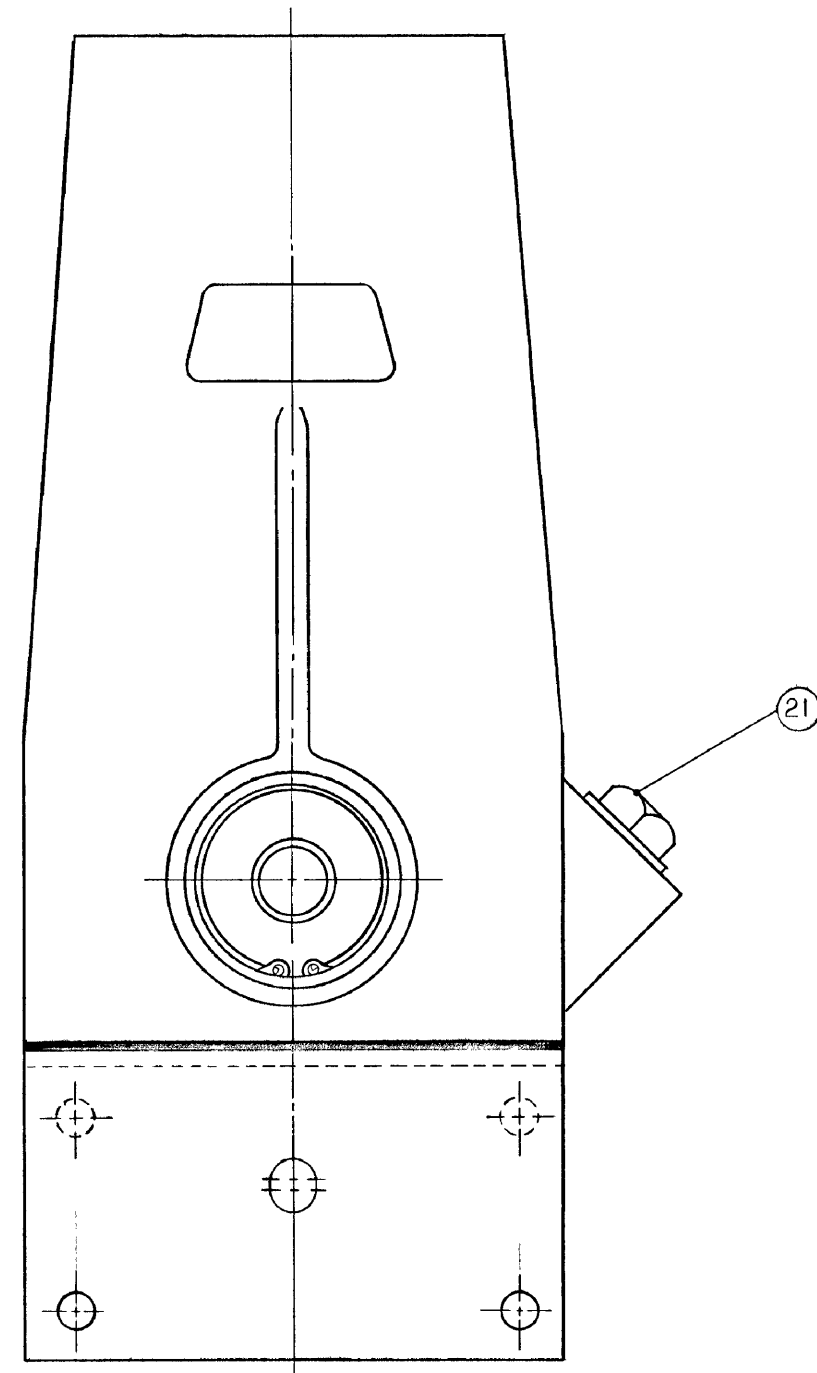
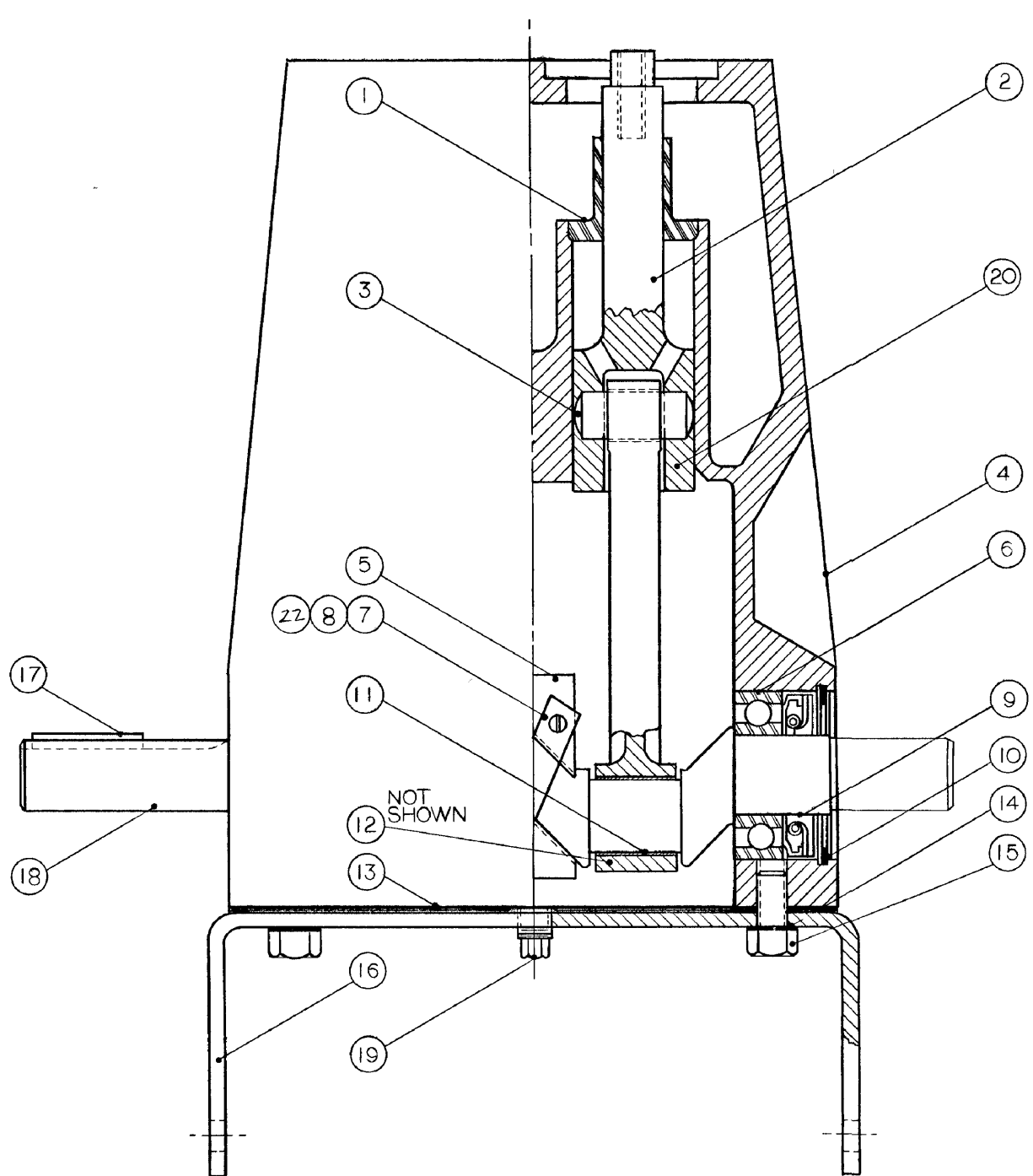
<small>This drawing is the property of FMC Corporation, and may not be used, reproduced, published or disclosed to others without express authorization FMC Corp.</small>		FMC Corporation Fluid Control Division 2825 W. Washington Box 1377 Stephenville, Texas 76401	
<small>Unless Otherwise Specified: Remove all burrs & sharp corners .005 R. All diameters concentric within .010 T.I.R. Angles ±1/2° .X ±.1 .XX ±.015 .XXX ±.005 Finish 125 RMS All dimensions are in inches</small>		PUMP ASSEMBLY A0413C, W/1" NPT X 3/4" NPT FLUID END, CARBOXILATED NITRILE PISTON CUPS & SST DISC VALVE ASSEMBLIES	
RELEASED FOR PRODUCTION	DATE	DRWN	CHJ 03-26-96
ECN	DATE	CKD.	SL 04-09-96
REV	WAS	APPD.	RMc 04-15-96
		SCALE:	NONE
		SIZE	D 1270230
		DRAWING NO.	

K	REVISED & DIGITIZED	13561	CHJ	01-03-96
REV	WAS	ECN	BY	DATE

1270230

PARTS LIST					
CHANGES	ITEM NO	NO REQ'D	DESCRIPTION	PART NUMBER	QTY
	1	2	CROSSHEAD, SLEEVE	1218743	A
	2	2	ASSEMBLY CONNECTING ROD	1263906	B
	3	2	WRIST PIN	1219650	A
	4	1	CASE	1267611	D
	5	1	OIL SLINGER	1255285	B
	6	2	BEARING FAFNIR 205 W	1177804	-
A	7	1	BOLTING STRIP	5241980	A
A	8	2	STOP NUT	1177576	-
	9	2	SEAL GARLOCK 205	1219669	-
	10	2	SNAP RING 5000-206	1113528	-
	11	4	BEARING INSERT	1263739	B
	12	4	HHCS 1/4-20x1 LOCK	1278439	-
	13	1	GASKET, BASE	1219606	B
	14	6	WASHER, WAVE	1177455	-
	15	6	HH CAP SCR 3/8-16x3/4	1100068	-
	16	1	BASE	1255297	B
	17	1	KEY 3/16 x 1-1/2	1108841	-
	18	1	CRANKSHAFT	1244980	C
	19	1	PIPE PLUG 1/4	1109666	-
	20	2	CROSSHEAD	1216823	B
	21	1	PIPE PLUG 3/4 SQ HD GALV	1105060	-
A	22	2	HEX HD CAP SCREW #10-24x 3/4 LG	320502	-
	23	1	NAMEPLATE	5277981	A
	24	2	SELF TAPPING SCREW	1187413	-

△△△
 △△
 △



PUMP SPECS:

1. APPLY LIGHT OIL TO CONNECTING ROD BEARINGS, WRIST PINS AND CROSSHEADS (ITEMS 3, 23 & 11).
2. BOLT AND NUT TORQUES:
 CONNECTING ROD BOLTS 6-8 FT LBS.
 MOUNTING BASE BOLTS 15-20 FT LBS.

E REVISED BOM		DRAWN MBE		TOLERANCE ON DIMENSIONS NOT OTHERWISE SPECIFIED		FMC Corporation	
D CHANGE ITEM 22		CHECKED		FRACTIONAL DECIMAL ANGULAR		Agricultural Machinery Division	
C REV BOM ITEM 7, 22 + TITLE		APPROVED		POWER END ASSEMBLY		Jonesboro Arkansas	
B ADDED NAMEPLATE		DATE 10-5-89		RH DRIVE A04		NC	
A NUMEROUS CHANGES, SEE ECN		SCALE NONE		MATERIAL SEE BOM		FILE SIZE D	
TOTAL WEIGHT	TOTAL WELD	PAINT SPEC	DATE	MATERIAL	PART NO	FIRST MADE FOR	
		1403080	10-5-89	SEE BOM	5273548		