

| ITEM | NO. RECD | PART NO. | PART NAME |
|-------|----------|----------|---|
| ① | 1 | 5273548 | POWER END ASSEMBLY: |
| ② | 1 | 5260310 | FLUID CYLINDER GROUP: |
| ③ | 1 | 5273637 | ATTACHING GROUP: |
| ④ | 1 | 5273635 | CYLINDER GROUP: |
| ⑤ | 2 | 3267699 | PISTON CUP: 1/4" |
| ⑥ | 1 | 5266228 | LIT KIT: |
| * ⑦ | 4 | 5260142 | VALVE SEAT: |
| * ⑧ | 4 | 1219610 | CAGE: |
| * ⑨ | 4 | 5253499 | DISC & SPRING ASSEMBLY: |
| * ⑩ | 2 | 1219614 | VALVE COVER: |
| * ⑪ | 6 | 1177394 | O-RING: 1 3/16" OD X 1/8" NOM., BUNA-N |
| * ⑫ | 1 | 1255887 | VALVE COVER CLAMP: |
| * ⑬ | 1 | 1100064 | HEX HD CAP SCREW: 1/2-13 X 1/2" LG. |
| * ⑭ | 1 | 5257095 | FLUID CYLINDER: |
| ** ⑮ | 2 | 1279148 | UMBRELLA: BLACK |
| ** ⑯ | 2 | 1269388 | UMBRELLA WASHER: |
| ** ⑰ | 2 | 1101339 | O-RING: 1 1/16" OD X 1/16" NOM., BUNA-N |
| ** ⑱ | 1 | 1177200 | CAPLUG: INT. 12 |
| ** ⑲ | 1 | 1177201 | CAPLUG: INT. 14 |
| ** ⑳ | 3 | 1101262 | HEX HD CAP SCREW: 3/8-16 X 5" LG. |
| *** ㉑ | 4 | A91684 | CYLINDER GASKET: |
| *** ㉒ | 2 | 1279920 | CERAMIC CYLINDER: |
| *** ㉓ | 2 | 1282635 | PISTON HOLDER: |
| *** ㉔ | 2 | 5257216 | PISTON WASHER: |
| *** ㉕ | 2 | 1284516 | HEX HD CAP SCREW: 5/16-18 X 1 1/2" LG. |
| *** ㉖ | 2 | 1285170 | SEAL RING: |
| *** ㉗ | 2 | 1177841 | O-RING: 2 1/8" OD X 1/16" BUNA-N |



Member of AxFlow Group

0508 4 BBENG
www.brownbros.co.nz

- * THESE COMPONENTS ARE LOCATED IN THE FLUID CYLINDER GROUP, ITEM ②
- ** THESE COMPONENTS ARE LOCATED IN THE ATTACHING GROUP, ITEM ③
- *** THESE COMPONENTS ARE LOCATED IN THE CYLINDER GROUP, ITEM ④

- NOTES:
- TORQUE FASTENERS PER FMC ENGR SPEC AS-22
 - TEST PUMP PER FMC ENGR SPEC AS-15
 - STAMP NAMEPLATE PER FMC ENGR SPEC AS-21
 - PAINT PUMP PER FMC ENGR SPEC CP-28

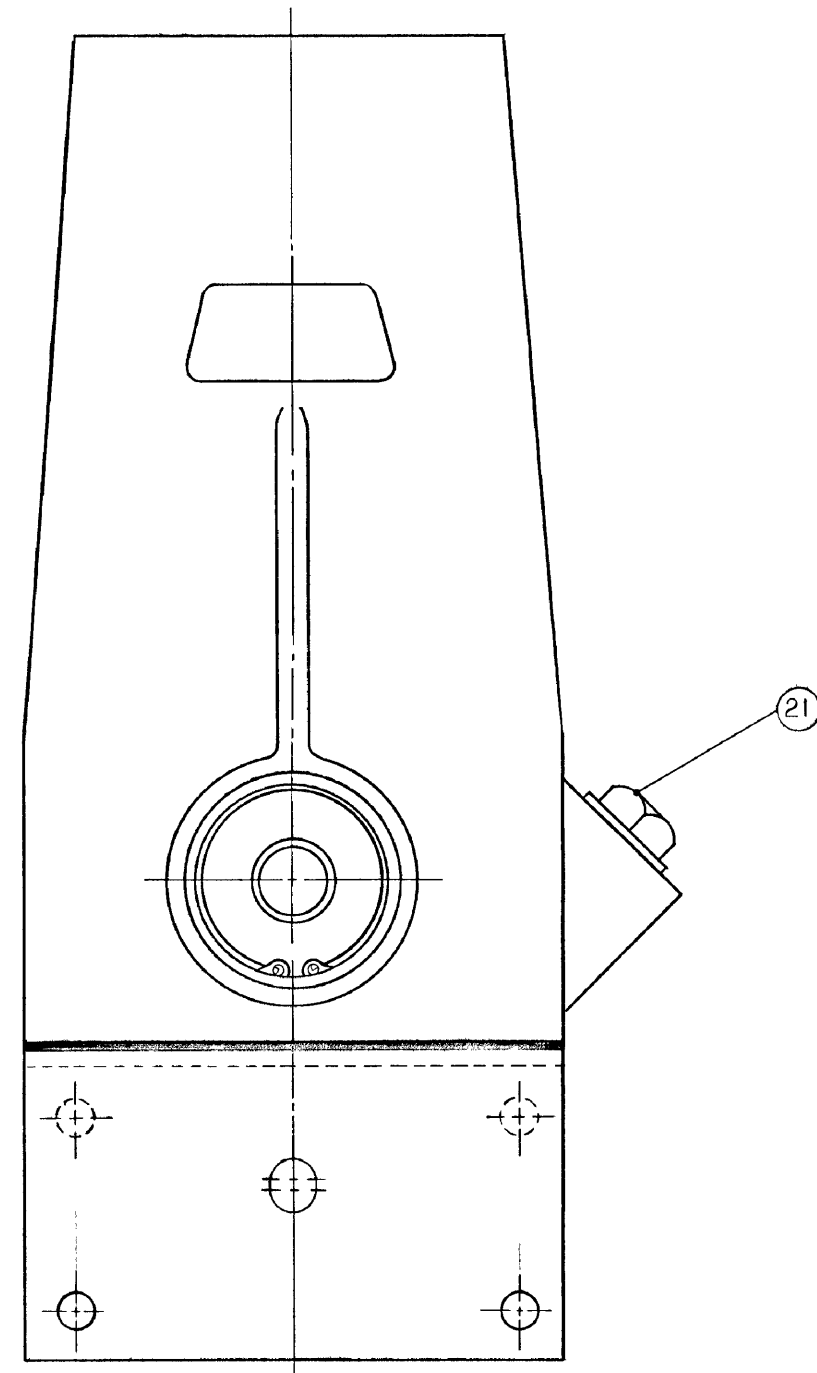
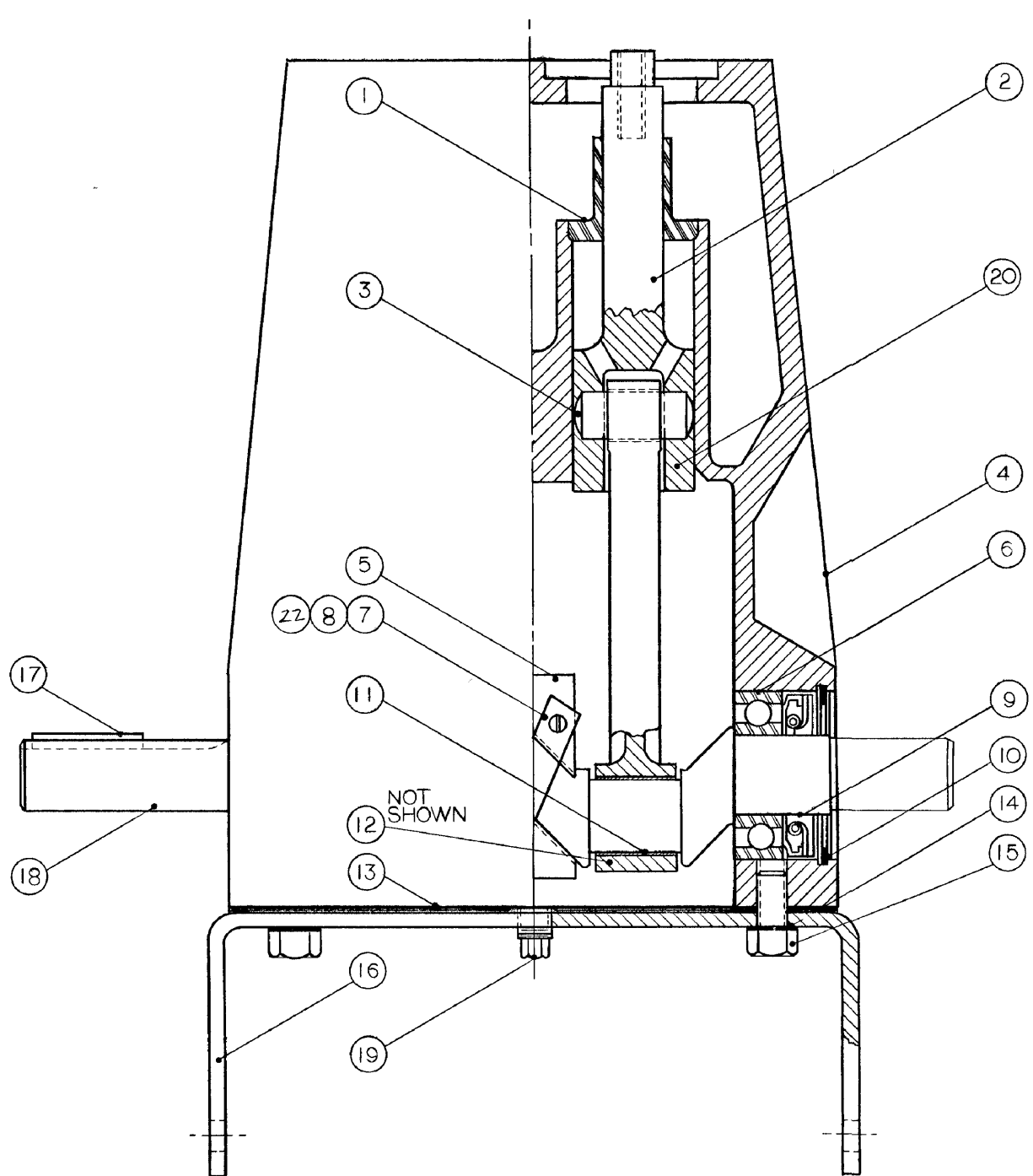
| | |
|---|---|
| This drawing is the property of FMC Corporation, and may not be used, reproduced, published, or disclosed to others, without express authorization FMC Corp. | FMC Corporation Fluid Control Division 2825 W. Washington Box 1377 Stephenville, Texas 76481 |
| Unless Otherwise Specified: Remove all burrs & sharp corners .005 R. All diameters concentric unless .001 I.D.C. Angles ±1/2° .XX ±.015 .XXX ±.005 Finish 125 RMS All dimensions are in inches | PUMP ASSEMBLY A0410, w/1/4" PACKING & SST DISC VALVE ASSEMBLIES |

| | | | | | | | | | | | | | |
|-----|--------------|--------|-----|----------|-------------------------|-----|----------|----------|-------|-----|----------|--------|-------------|
| L | REV BOM | 500285 | JCF | 05-08-98 | RELEASED FOR PRODUCTION | ECN | DATE | 04-28-98 | DRAWN | JMW | 04-02-98 | SCALE: | NONE |
| K | REV DIGITIZE | 500285 | JMW | 04-02-98 | | | | | CKD. | BKM | 04-2-98 | SIZE | DRAWING NO. |
| REV | WAS | | ECN | BY | DATE | ✓ | 04-28-98 | | APPD. | GG | 04-28-98 | D | 1280174 |

1280174

| PARTS LIST | | | | | |
|------------|---------|----------|---------------------------------|-------------|--------------|
| CHANGES | ITEM NO | NO REQ'D | DESCRIPTION | PART NUMBER | DWG SIZE (1) |
| | 1 | 2 | CROSSHEAD, SLEEVE | 1218743 | A |
| | 2 | 2 | ASSEMBLY CONNECTING ROD | 1263906 | B |
| | 3 | 2 | WRIST PIN | 1219650 | A |
| | 4 | 1 | CASE | 1267611 | D |
| | 5 | 1 | OIL SLINGER | 1255285 | B |
| | 6 | 2 | BEARING FAFNIR 205 W | 1177804 | - |
| A | 7 | 1 | BOLTING STRIP | 5241980 | A |
| A | 8 | 2 | STOP NUT | 1177576 | - |
| | 9 | 2 | SEAL GARLOCK 205 | 1219669 | - |
| | 10 | 2 | SNAP RING 5000-206 | 1113528 | - |
| | 11 | 4 | BEARING INSERT | 1263739 | B |
| | 12 | 4 | HHCS 1/4-20x1 LOCK | 1278439 | - |
| | 13 | 1 | GASKET, BASE | 1219606 | B |
| | 14 | 6 | WASHER, WAVE | 1177455 | - |
| | 15 | 6 | HH CAP SCR 3/8-16x3/4 | 1100068 | - |
| | 16 | 1 | BASE | 1255297 | B |
| | 17 | 1 | KEY 3/16 x 1-1/2 | 1108841 | - |
| | 18 | 1 | CRANKSHAFT | 1244980 | C |
| | 19 | 1 | PIPE PLUG 1/4 | 1109666 | - |
| | 20 | 2 | CROSSHEAD | 1216823 | B |
| | 21 | 1 | PIPE PLUG 3/4 SQ HD GALV | 1105060 | - |
| A | 22 | 2 | HEX HD CAP SCREW #10-24x 3/4 LG | 320502 | - |
| | 23 | 1 | NAMEPLATE | 5277981 | A |
| | 24 | 2 | SELF TAPPING SCREW | 1187413 | - |

△ △ △ △



PUMP SPECS:

1. APPLY LIGHT OIL TO CONNECTING ROD BEARINGS, WRIST PINS AND CROSSHEADS (ITEMS 3, 23 & 11).
2. BOLT AND NUT TORQUES:
 CONNECTING ROD BOLTS 6-8 FT LBS.
 MOUNTING BASE BOLTS 15-20 FT LBS.

| | | | | | | | |
|------------------------------|------------|--------------|---------|---|---------|--|--------------------|
| E REVISED BOM | | DRAWN MBE | | TOLERANCE ON DIMENSIONS NOT OTHERWISE SPECIFIED | | FMC Corporation Agricultural Machinery Division Jonesboro Arkansas | |
| D CHANGE ITEM 22 | | CHECKED | | FRACTIONAL | DECIMAL | | ANGULAR |
| C REV BOM ITEM 7, 22 + TITLE | | APPROVED | | POWER END ASSEMBLY RH DRIVE A04 | | | FILE SIZE D |
| B ADDED NAMEPLATE | | DATE 10-5-89 | | MATERIAL | | | PART NO 5273548 |
| A NUMEROUS CHANGES, SEE ECN | | SCALE NONE | | SEE BOM | | | |
| TOTAL WEIGHT | TOTAL WELD | PAINT SPEC | DATE | MATERIAL | | | PART NO |
| | | 1403080 | 10-5-89 | SEE BOM | | | 5273548 |

| | |
|----------------|--------------------|
| NEXT ASSEMBLY | NO REQ'D PER ASSEM |
| FIRST MADE FOR | |