

Septage Receiving Stations VFA DM



SAVI



SAVECOTM
Member of WAMGROUP®

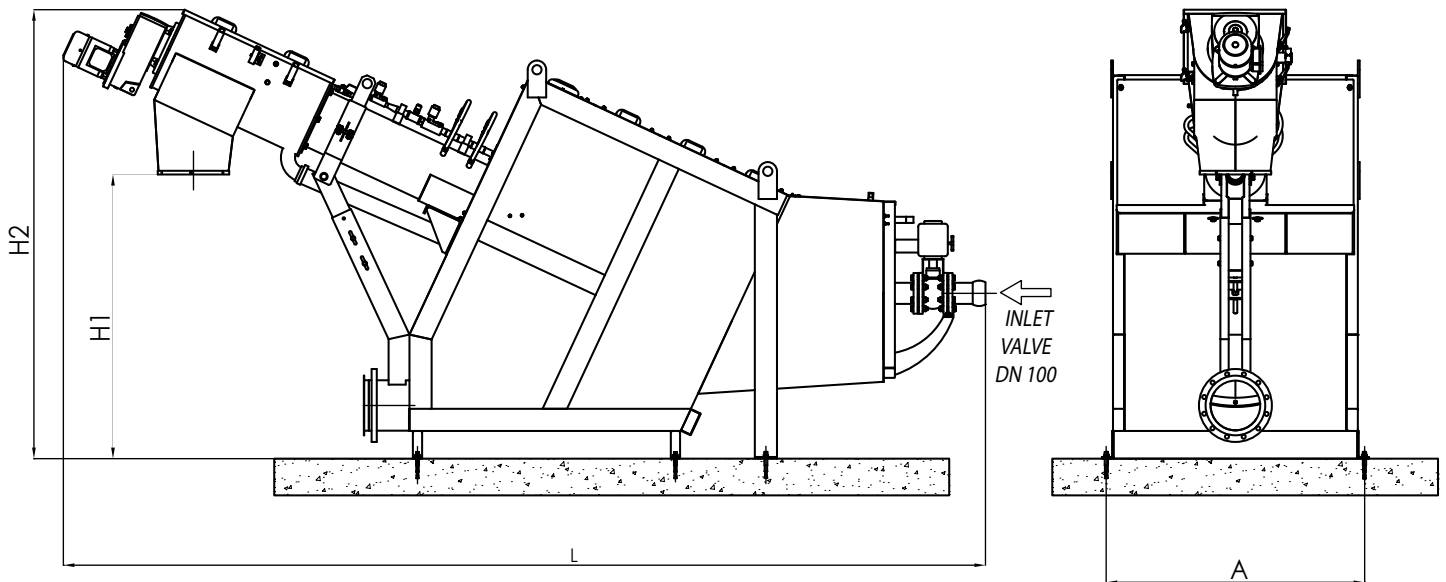
THE NEW GENERATION OF SEPTAGE RECEIVING STATIONS: THE BEAST

VFA DM Septage Receiving Stations consist of a dual motor drive system, a perforated plate drum screen complete with screw conveyor, and a compaction zone, all installed in a tank.

VFA DM Septage Receiving Stations are not only used for septage treatment but also for FOG and digester/sludge cleaning. The station screens, washes, conveys, and dewateres screenings all in one unit, thus eliminating the need for multiple pieces of equipment.



Overall Dimensions



| MODEL | TOTAL WIDTH A mm | TOTAL LENGTH L mm | DISCHARGE HEIGHT H1 m | TOTAL HEIGHT H2 mm | OUTLET | WASH WATER CONSUMPTION | DRUM POWER kW | SPIRAL DRIVE POWER kW |
|--------------------|---------------------|----------------------|--------------------------|-----------------------|--------|------------------------|------------------|--------------------------|
| VFA 800 DM | 1,100 | 5,000 | 1,500 | 2,400 | DN 200 | 120 l/min at 5 bar | 1.1 | 1.1 |
| VFA 1200 DM | 1,400 | 5,000 | 1,600 | 2,500 | DN 250 | 150 l/min at 5 bar | 1.5 | 1.5 |
| VFA 1400 DM | 1,600 | 5,600 | 1,800 | 2,700 | DN 250 | 200 l/min at 5 bar | 1.5 | 1.5 |

For reference only: for detailed drawings please contact the manufacturer

Benefits

- ✓ Dual motor drive system – drum and auger driven independently
- ✓ 4 RPM drum speed and 10 RPM auger speed maximising cleaning efficiency and solids removal
- ✓ 25-degree incline angle increases solids capacity
- ✓ No sediments thanks to special tank design
- ✓ Extended hopper increases solids capturing efficiency
- ✓ Absence of lower drum support arm eliminates rag accumulation



Technical Features

- 3 sizes available
- Solids concentration up to 2-3%
- Dual motor drive system
- Drum screen round hole openings 5.0 – 6.0 mm
- Drum screen incline angle: 25 degrees
- Frame manufactured from 304 L / 316 L SS
- Spiral manufactured from special ST 52 steel, optionally 304 L / 316 L SS

| MODEL | FLOW RATES - m ³ /h | COMPACTION PERCENTAGE |
|-------------|--------------------------------|-----------------------|
| VFA 800 DM | 100 | 30% |
| VFA 1200 DM | 150 | 30% |
| VFA 1400 DM | 200 | 30% |

Accessories

- Bagging device

Application



203001302 April 2018 Rights reserved to modify technical specifications.

This brochure has been edited for distribution in European Union countries



SAVECO[™]
Member of WAMGROUP®



www.saveco-water.com



1300 4 BBENG
www.brownbros.com.au



0508 4 BBENG
www.brownbros.co.nz