

# EZstrip™ TR Muncher™



With our Maintain-in-Place technology, the complete cutter stack can be inspected and replaced within two and a half hours.

To minimize the time and cost involved when maintaining a conventional grinder/macerator, the EZstrip can easily be maintained in place, without disconnecting or removing any pipework.

Currently, the removal of the cutting elements from a typical grinder/macerator requires removal from site and can take up to two days to complete.

With the EZstrip CT201 Muncher, the complete cutter stack can be inspected and replaced within two and a half hours.

## Where It All Began

We first began manufacturing progressing cavity pumps in 1935, followed by the Muncher range of grinders in 1981, and have continued to engineer industry leading products for over 80 years.

The new EZstrip pump design was launched in 2009 offering a range of operation and maintenance benefits and has proved to be a great success amongst end users.

We incorporated the same maintenance benefits into our Muncher range of grinders offering an option for a complete EZstrip package.

## Features & Benefits

The EZstrip TR Muncher is an extension to our Muncher range of grinders, offering a choice of cutter materials and thickness for effective and efficient grinding of solids.

- Full access port allowing ease of inspection (CT201).
- Maintain in place of the cutters and spacers (CT201).
- Easily removed cutter stack.
- No special tools required.
- Reduced maintenance downtime.
- Increased labour savings.
- No need to disconnect pipework.
- Service exchange option available

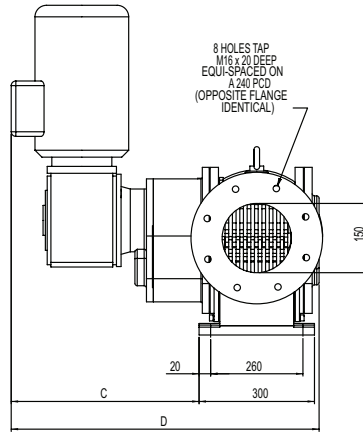
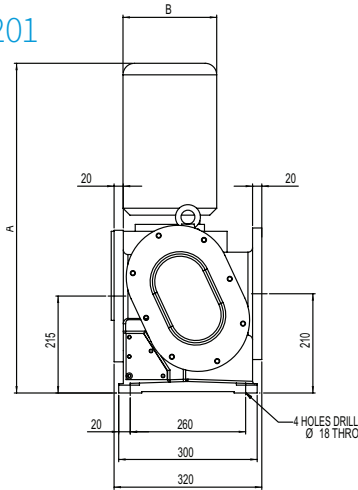


# Technical Data

## Performance Data

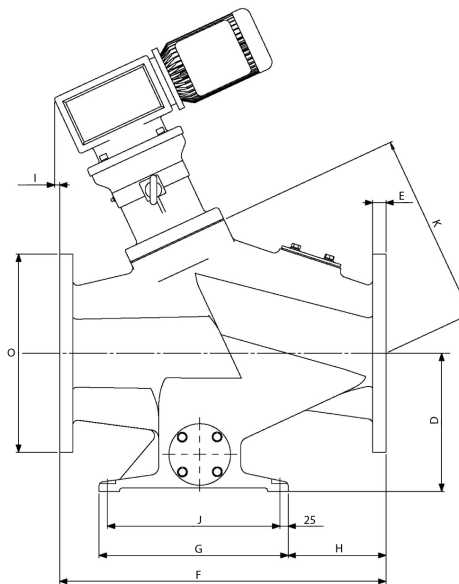
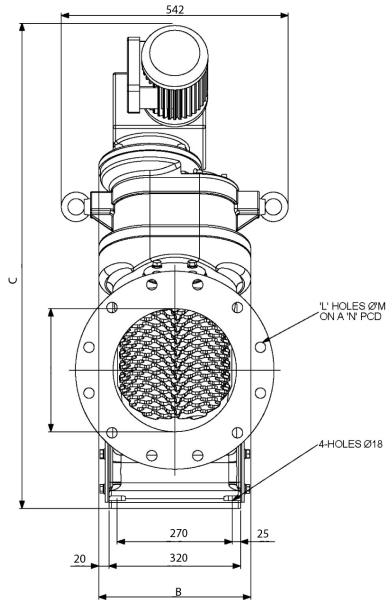
Model	%D.S/M <sup>3</sup> /HR				
	118	100	85	63	52
CT201	118	100	85	63	52
CT203	242	210	183	155	125
CT205	440	388	330	276	225

### CT201



Model No.	kW	A	B	C	D	Wt. Kg
CT201D	1.5	700	186	400	700	140
CT201D	2.2	715	203	430	730	175

### CT203/205



Model No.	kW	A	B	C	D	E	F	G	H	I	J	K	L	M	N	O	Wt. Kg
CT203C	1.5	100	370	1020	205	24	489	410	124	140	360	363	8	18	180	220	290
CT203D		150	370	1050	230	25	540	410	155	40	360	354	8	22	240	285	290
CT203E		200	370	1050	256	29	591	410	205	16	360	341	12	22	295	343	290
CT205F		250	370	1190	281	32	692	460	205	30	410	494	12	26	355	406	345
CT205G		300	370	1190	332	32	794	460	263	-17	410	472	12	26	410	483	345
CT203C	2.2 - 4.0	100	395	1130	489	24	489	410	124	169	360	363	8	18	180	220	340
CT203D		150	395	1170	540	25	540	410	155	97	360	354	8	22	240	285	340
CT203E		200	395	1170	591	29	591	410	205	72	360	341	12	22	295	343	340
CT205F		250	395	1310	692	32	692	460	205	87	410	494	12	26	355	406	390
CT205G		300	395	1310	794	32	794	460	263	40	410	472	12	26	410	483	390

All dimensions in mm's, unless otherwise stated and for guidance only.

For full certified drawings or assistance, please contact us.