

SUBMERSIBLE DEWATERING PUMP

J

SERIES

Excellent in Corrosion Resistance

- 1) Discharge Dia.: 50 – 100 mm
- 2) Total Head: 7 – 33 m
- 3) Capacity: 0.15 – 1.0 m³/min
- 4) Motor Output: 0.4 – 11 kW

**DURABLE, DEPENDABLE,
VERSATILE!**

FEATURES:

Every part to contact with liquid is made of anti-corrosive material, molybdenum stainless steel (AISI316). Packings are made of fluoric rubber excellent in chemical and heat resistant.

In answering to the requirement for the industries handling chemical, metal, mining, etc., this type submersible pumps have been developed. Polluted water in the sea or the rivers also require these pumps.



SAKURAGAWA

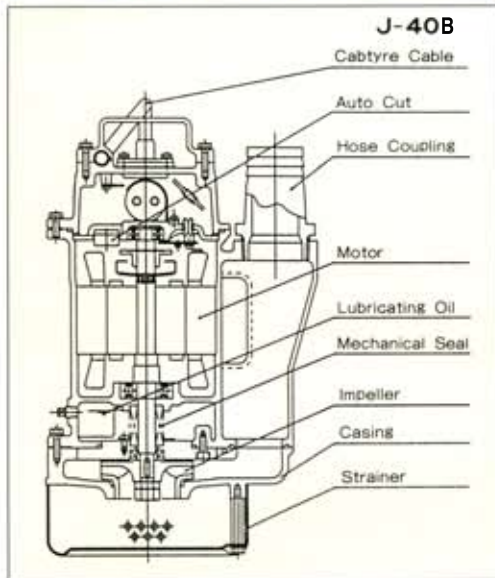


APPLICATIONS:

Handling Corrosive Liquids at Foods, Steel, Pharmaceutical and Brewing Industries, Dewatering out of Minings, Hospitals, Paper Mills, Metal Plating Plants, Various Kinds of Laboratories, etc.

DEWATERING PUMP J SERIES

CUT-AWAY SECTION



MOTOR PROTECTOR

As for the models, J-40B and J-212B, built-in automatic recycling type motor protector, Auto-cut, is provided against overload and locking, as well as fail-safe sealing, ensuring trouble-free operation.

MOTOR

The motors are well designed to demonstrate high motor efficiency. The stators conform to class E insulation rating, highly heat-resistant.

SHAFT SEAL

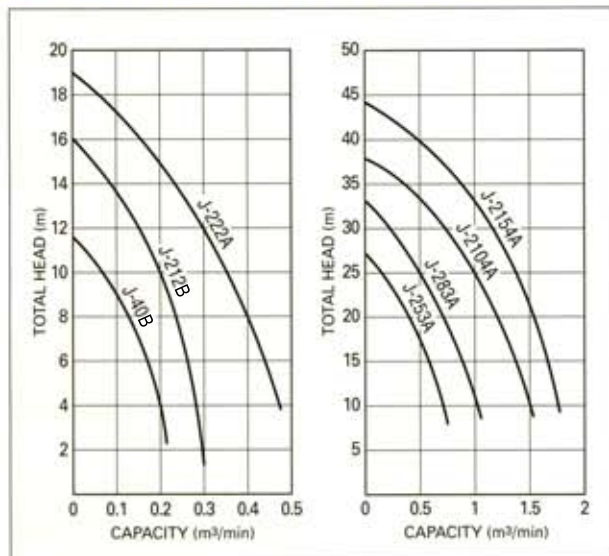
The twin Mechanical Seals cooled and lubricated in the oil bath are equipped to ensure reliable sealing effect and steady services at heavy-duty dewatering sites. Sealing surfaces both pump side and motor side feature excellent wearing resistant.

* At the secondary mating surfaces for the model, J-222A is equipped with Oil Seals.

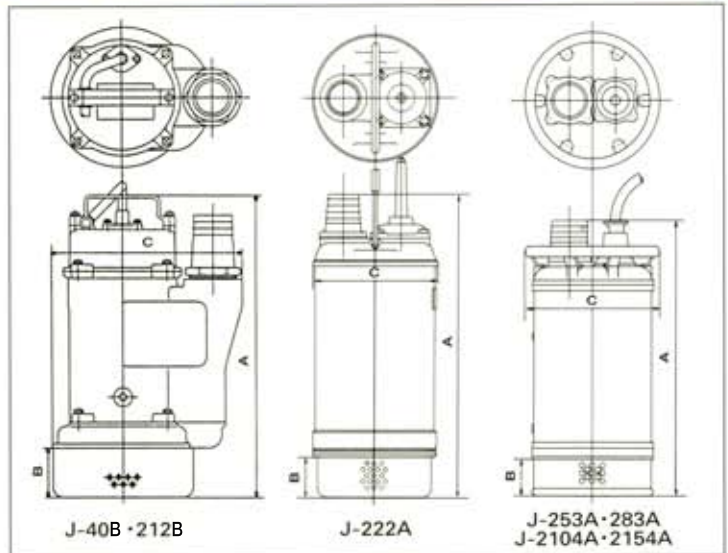
IMPELLER & CASING

The impeller made of stainless steel casting (AISI316) housed in a heavy gauge body gives high efficiency in performance in combination with assorted casing which is also made of stainless steel casting AISI316, providing admirable resistance against the substances in the water containing acid, alkali, salt, etc. For further information, please consult us or our local distributor at your place.

PERFORMANCE CURVES



DIMENSIONS



STANDARD SPECIFICATIONS

MODELS	DISCHARGE DIA.		PHASE	MOTOR OUTPUT		POLE	HEAD		CAPACITY		DIMENSIONS			CABLE LENGTH		WEIGHT (WITHOUT CABLE)	
	mm	in		kW	HP		m	ft	m ³ /min	imp·GPM	mm			m	ft	kg	lbs
											A	B	C				
J-40B	50	2	1	0.4	1/2	2	7	23	0.15	33	390	65	245	5	16	19	42
J-212B	50	2	3	0.75	1	2	10	33	0.2	44	390	65	245	10	33	20	44
J-222A	50	2	3	1.5	2	2	15	49	0.2	44	470	63	195	10	33	37	82
J-253A	80	3	3	3.7	5	2	17	56	0.5	110	625	87	315	10	33	92	203
J-283A	80	3	3	5.5	8	2	25	82	0.5	110	655	87	315	10	33	98	216
J-2104A	100	4	3	7.5	10	2	25	82	1	220	710	96	360	20	66	127	280
J-2154A	100	4	3	11	15	2	33	108	1	220	740	96	360	20	66	137	302

* Specifications are subject to change without notice.

SAKURAGAWA PUMP
MFG.CO.,LTD.