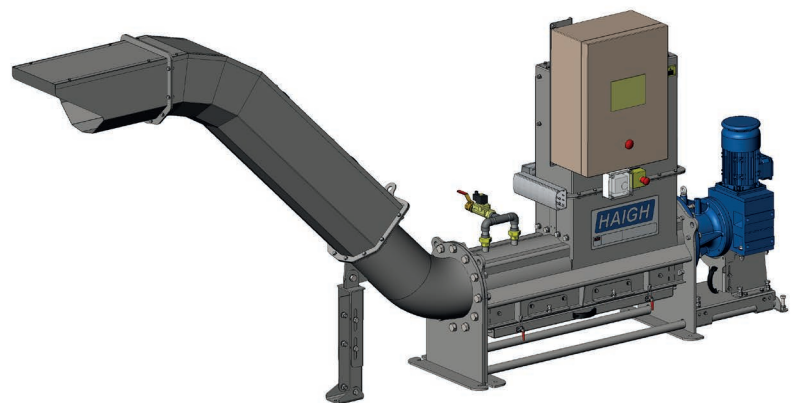


**HAIGH**



***ACE Pactor***  
**300**

Waste Water Experience  
& Innovation



# ACE Pactor 300

Waste Water Experience  
& Innovation



## ZERO WASH WATER SCREW COMPACTOR PROVIDING LOW WHOLE LIFE COST WITH BENEFIT OF OFFSITE FABRICATION & EASE OF MAINTENANCE.

The ACE Pactor 300 has been designed to process screenings from any inlet screen and can handle up to 8 l/s of launder wash water. Control is via ultrasonic level transducer ensuring the unit only runs when there is adequate screening material present, this results in short operating times and low whole life costs.

### FEATURES AND BENEFITS

#### Overview

- Compliant with WIMES 6.03
- Robust stainless steel fabrication
- All maintenance carried out in situ
- Off site build - true 'plug and play' concept.

#### Operation

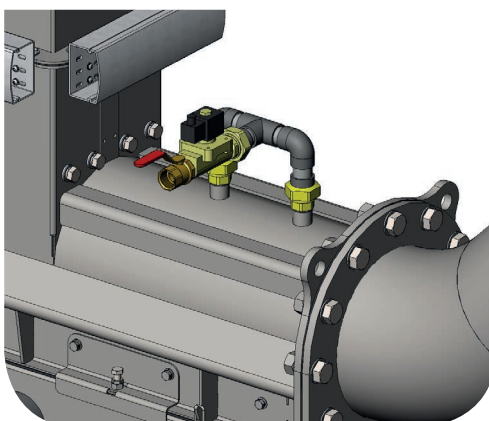
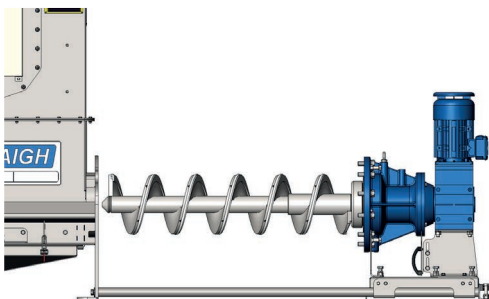
- Large integral drainage deck able to deal with up to 8 l/s of launder wash water
- Heavy duty auger with Hardox flights
- Heavy duty bearing assembly providing exceptional support for the auger shaft preventing any loads being transferred to the drive motor gearbox
- Hardox shearing plate on entry into compaction zone.

#### ALL maintenance can be carried out in situ supporting totex

- Quick release drain deck tray with Bauer coupling connection
- Hard wearing brush assembly
- Optimised run times
- Low operating costs.

#### Installation

- Prefabricated offsite
- True 'plug and play' concept
- Minimal onsite requirements - launder connection, power and flat concrete plinth in most cases.



## Optional

Additional washing facility 1-2 l/s - wash water required (*pictured bottom left*).

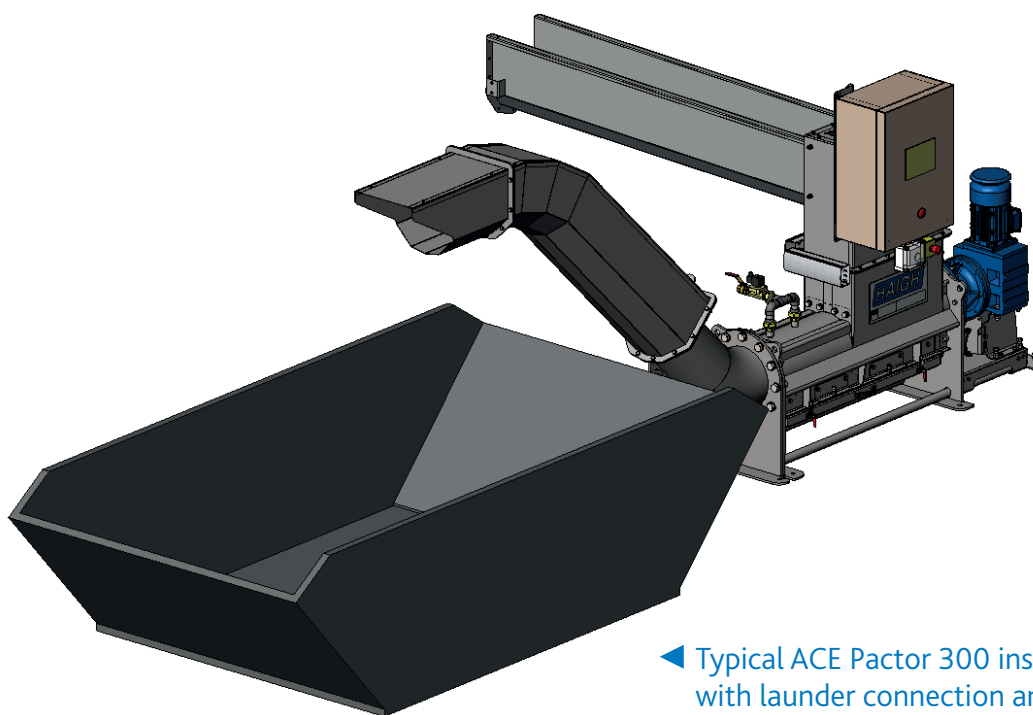
Optional maintenance rail to allow removal of auger, bearing assembly and geared motor (*pictured top left*)

## KEY FACTS

**Services required:** Zero external wash water for standard configuration.

**Capacity:** 4m<sup>3</sup>/hr of wet screenings with up to 8 l/sec of launder wash water.

**Typical electric motor drive size:** 3.0kW.



◀ Typical ACE Factor 300 installation with launder connection and optional additional washing facility.

## SALES AND SERVICE SUPPORT

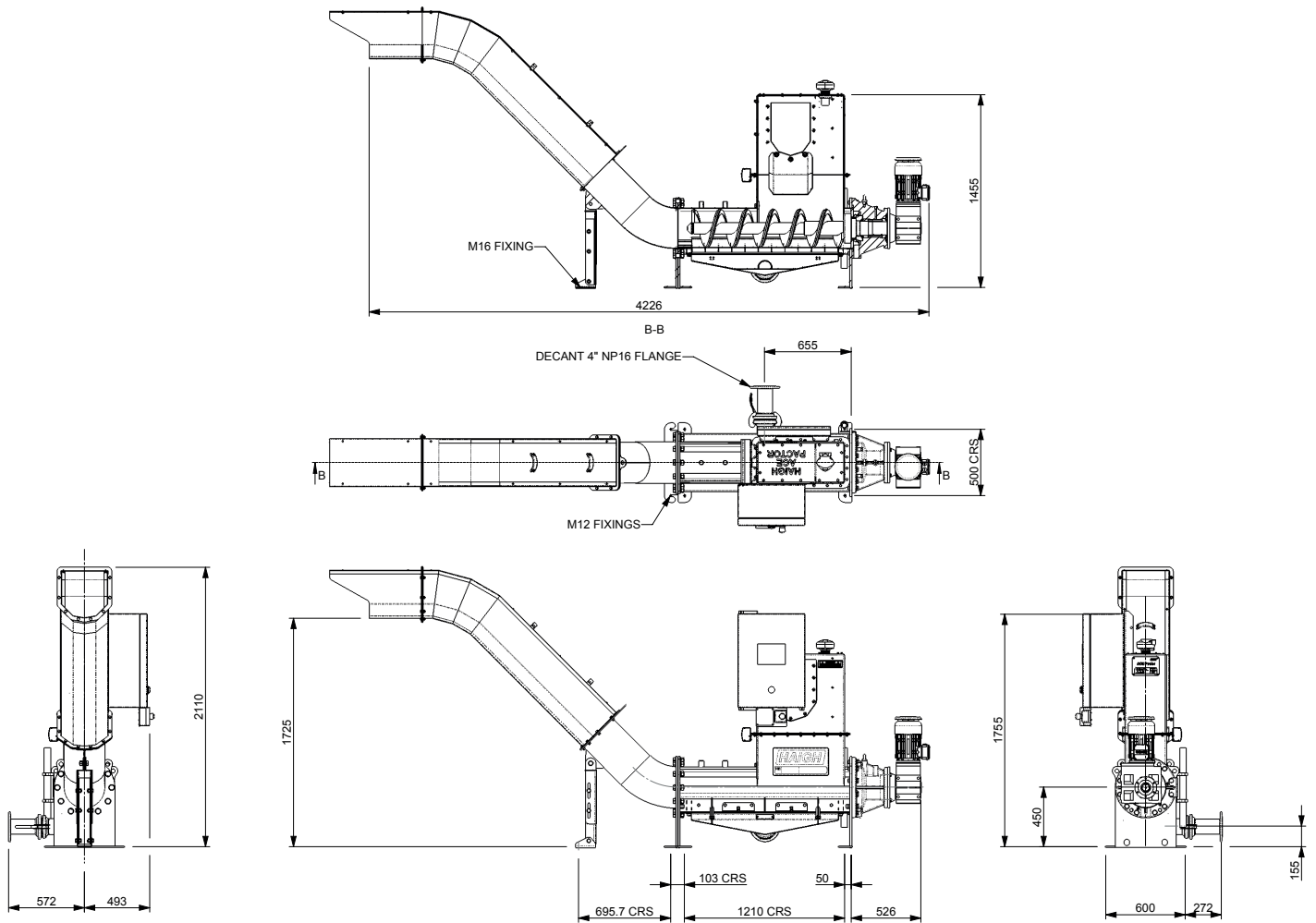


Haigh Engineering has a UK wide dedicated sales force who specialise in knowing how to bring added value to your works such as reducing civil costs, reducing the need for site washwater and cutting screenings skip and transport costs.

Your local Sales Manager will be pleased to discuss your particular requirements and options for Haigh equipment to suit your works. If you decide to proceed with a Haigh installation a dedicated Contracts Engineer will be appointed to your project to oversee it from start to finish.

Installation can be undertaken by Haigh trained engineers and electricians who have in many cases served their apprenticeships with the Company - nobody knows Haigh products like we do.

# INSTALLATION DRAWING



[www.haigh.co.uk](http://www.haigh.co.uk)

## The Haigh Engineering Company Ltd

Alton Road, Ross-on-Wye, Herefordshire HR9 5NG

Tel: +44(0)1989 763 131

[info@haigh.co.uk](mailto:info@haigh.co.uk)



Made in UK



1300 4 BBENG  
[www.brownbros.com.au](http://www.brownbros.com.au)



0508 4 BBENG  
[www.brownbros.co.nz](http://www.brownbros.co.nz)

E5026